

## Enphase Q Cable and Accessories

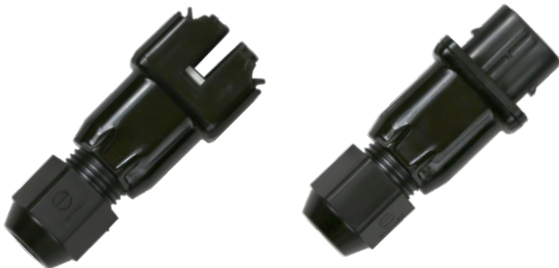
The **Enphase Q Cable™** and accessories are part of the sixth generation Enphase IQ System™. These products provide simplicity, reliability, and faster installation times.

---



### Enphase Q Cable

- Two-wire, double-insulated Enphase Q Cable is 50% lighter than the previous generation Enphase cable
- New cable numbering and plug and play connectors speed up installation and simplify wire management
- Link connectors eliminate cable waste



### Field-Wireable Connectors

- Easily connect Q cables on the roof without complex wiring
- Make connections from any open connector and center feed any section of cable within branch limits
- Available in male and female connector types

# Enphase Q Cable Accessories

## Q CABLE SPECIFICATIONS




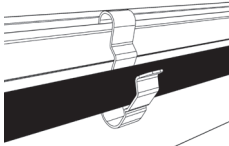
Certification	UL3003 (raw cable), UL 9703 (cable assemblies), DG cable
Flame test rating	FT4
Compliance	RoHS, OIL RES I, CE, UV resistant
Conductor type	THHN/THWN-2 dry/wet
Conductor cross section	19 strand, 3.31mm <sup>2</sup> (12 AWG)
Voltage rating	600 V
Disconnecting means	The AC and DC bulkhead connectors have been evaluated and approved for use as the load-break disconnect.

## Q CABLE TYPES / ORDERING OPTIONS

Model Number	Max Nominal Voltage	Connector Spacing	PV Module Orientation	Connector Count per Box
Q-12-10-240	277 VAC	1.3 m	Portrait	240
Q-12-17-240	277 VAC	2.0 m	Landscape (60-cell)	240
Q-12-20-200	277 VAC	2.3 m	Landscape (72-cell)	200

## ENPHASE Q CABLE ACCESSORIES

Name	Model Number	Description
Raw Q Cable (unconnectorised)	Q-12-RAW-300	300 meters cable with no connectors
Field-wireable connector (male)	Q-CONN-10M	Make connections
Field-wireable connector (female)	Q-CONN-10F	Make connections from any Q Cable open connector
Cable Clip	Q-CLIP-100	Used to fasten cabling to the racking or to secure looped cabling
Disconnect tool	Q-DISC-10	Disconnect tool for Q Cable connectors, DC connectors, and AC module mount
Q Cable sealing caps (female)	Q-SEAL-10	One needed to cover each unused connector on the cabling
Terminator	Q-TERM-10	Terminator cap for unused cable ends
Replacement DC Adaptor (MC4)	Q-DCC-2	DC adaptor to MC4 (max voltage 100 VDC)
Replacement DC Adaptor (UTX)	Q-DCC-5	DC adaptor to UTX (max voltage 100 VDC)

	<p><b>TERMINATOR</b> Terminator cap for unused cable ends, sold in packs of ten (Q-TERM-10)</p>		<p><b>SEALING CAPS</b> Sealing caps for unused cable connections, sold in packs of ten (Q-SEAL-10)</p>
	<p><b>DISCONNECT TOOL</b> Plan to use at least one per installation, sold in packs of ten (Q-DISC-10)</p>		<p><b>CABLE CLIP</b> Used to fasten cabling to the racking or to secure looped cabling, sold in packs of one hundred (Q-CLIP-100)</p>

To learn more about Enphase offerings, visit [enphase.com/in](https://enphase.com/in)