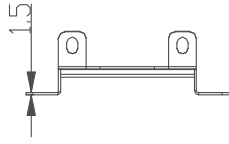
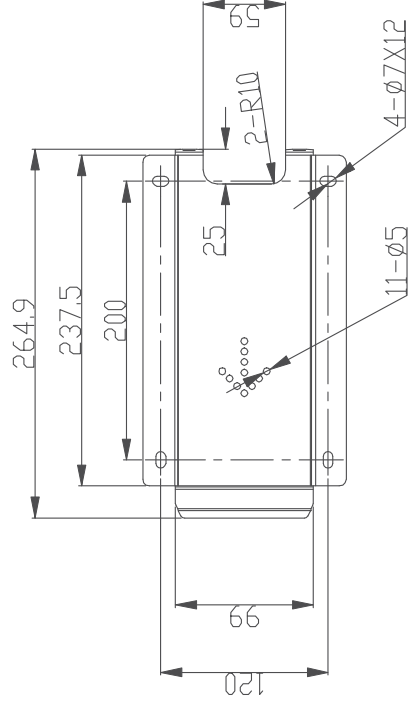


PALO
per
THOR 03AS/07AS

Dimensioni (mm)	0.5"6	>8"30	30"120	>120"400	>400"1000	>1000"2000
Tolleranza (mm)	±0.1	±0.2	±0.3	±0.5	±0.8	±1.2

GROWATT

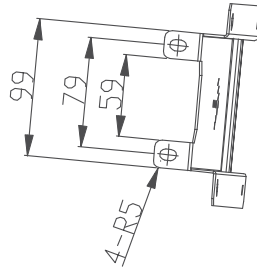
A



B

+

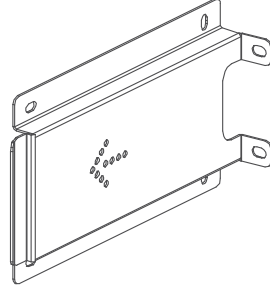
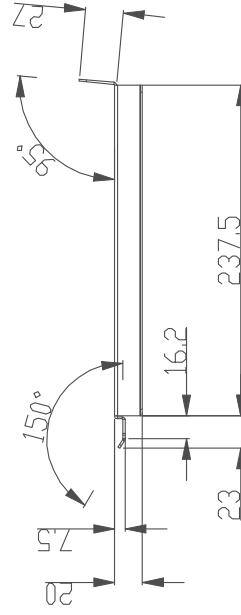
C



D

+

E



F

		STAFFA	
		per	
		THOR 03AS/07AS	

1 2 3 4 5 6